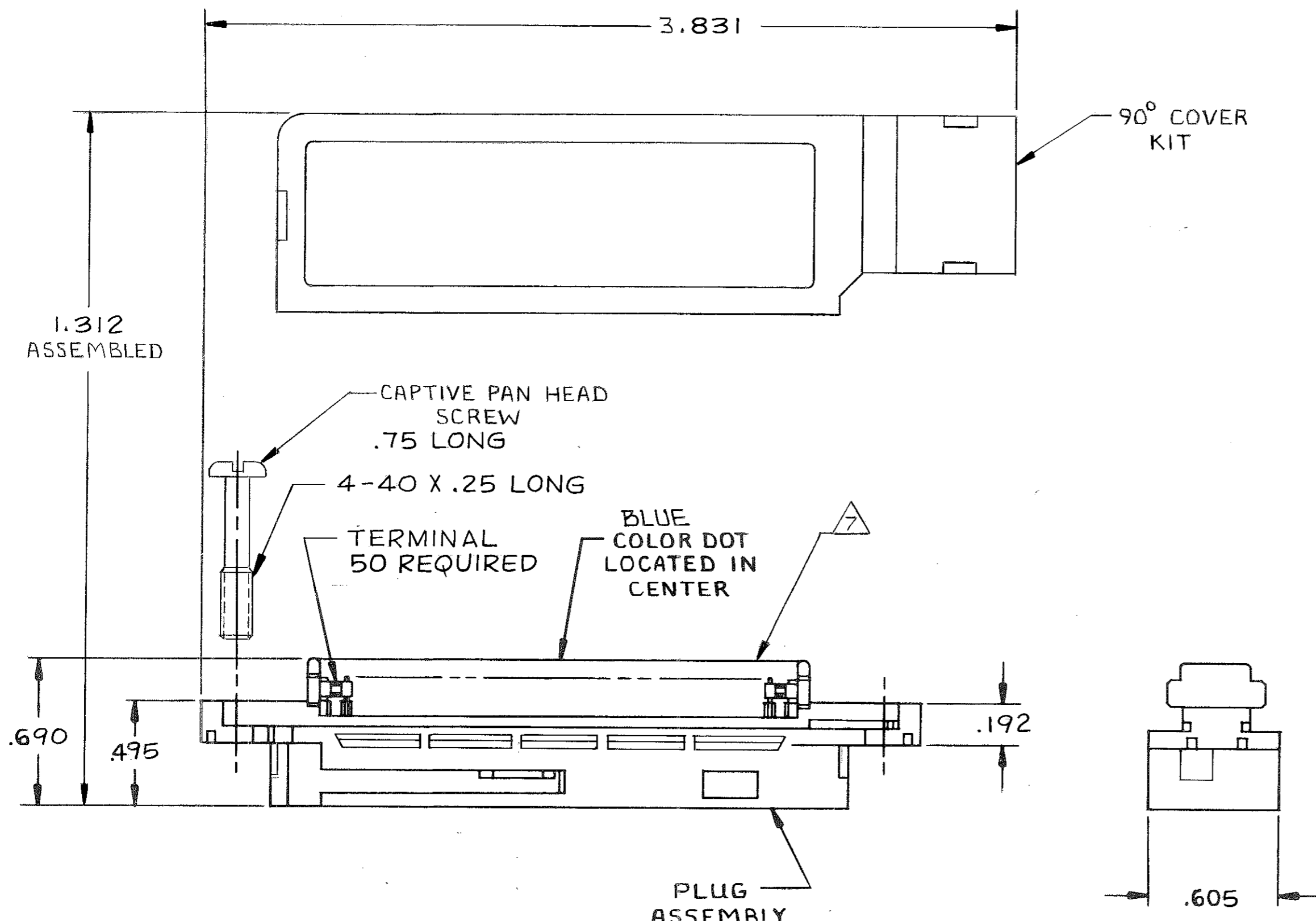
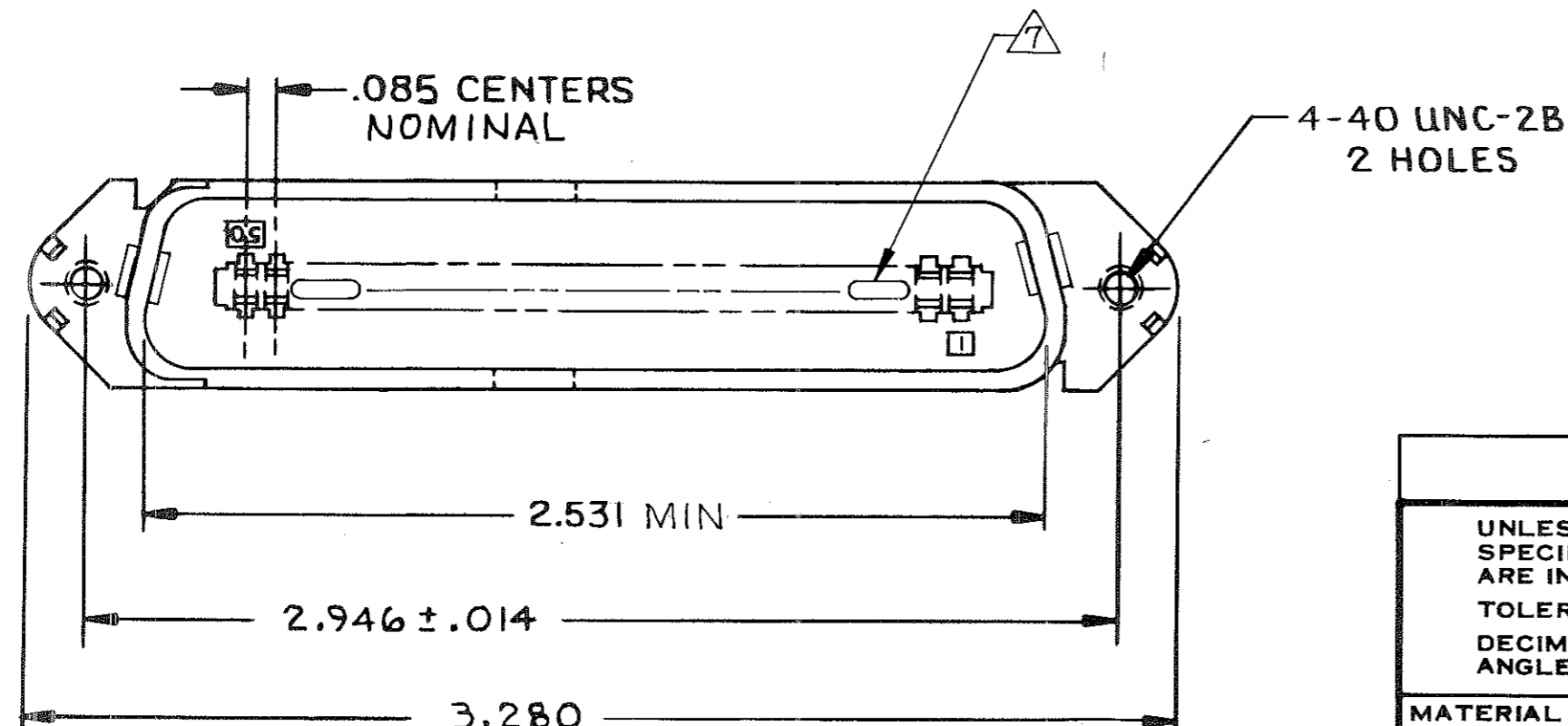


© COPYRIGHT 1974 BY AMP INCORPORATED, HARRISBURG, PA.  
ALL INTERNATIONAL RIGHTS RESERVED. AMP INCORPORATED PRODUCTS  
COVERED BY U. S. AND FOREIGN PATENTS AND/OR PATENTS PENDING.


REVISIONS						
P	F	ZONE	LTR	DESCRIPTION	DATE	APPROVED
		L		DBS-4; ECN AA-5371	1/4/89	TC
		M		REV; EC OUIE-0040-01	3-19-01	DD
						EB



1. THE CONTACT SURFACES OF THE TERMINALS ARE COATED WITH LUBRICANT.
  2. ALL DIMENSIONS SHOWN ARE MAXIMUM UNLESS OTHERWISE SPECIFIED.
  3. MATERIAL: HOUSING & COVERS - POLYPHENYLENE OXIDE.  
TERMINALS - GOLD OVER NICKEL PLATED HIGH STRENGTH COPPER ALLOY.  
HARDWARE - ZINC PLATED STEEL.
  4. COVER AND HARDWARE SHIPPED UNASSEMBLED.
  5. WIRE SIZE: 24 & 26 AWG SOLID & 24/7 STRAND COPPER CONDUCTORS.  
MAX. INSULATION DIAMETER OF .045 IS ACCEPTABLE FOR MOST APPLICATIONS.
  6. CABLE RANGE: .415-.465 DIA.
- △ CORING MAY OR MAY NOT APPEAR AND IS AT THE DISCRETION OF AMP INCORPORATED.



POLY BAGGED	BLACK	552259-1
PACKAGING	COLOR	PART NO

UNLESS OTHERWISE SPECIFIED DIMENSIONS ARE IN INCHES. TOLERANCES ON: DECIMALS ± ANGLES ±	CONTRACT NO	 AMP INCORPORATED Harrisburg, Pa.		
	DR A. Holt 5-27-81			
	MATERIAL	CHK MD/juel 11-23-81	NAME PLUG KIT, 50 POSITION, B SLOT, SCREW LOCK W/90° COVER, CHAMP-LOK®	
	FINISH	APPD S. Key 11/23/81 K. M. H. 11/23/81	SIZE CODE IDENT NO C 00779	DRAWING NO 552259
	DSGN APPD	SCALE 2/1	SHEET 1 OF 1	
	OTHER APPD			

552259